

Antenna-AX3704

Helix Antenna

AX3704 is a helix antenna which supports GPS L1/L2, GLONASS G1/G2, BDS B1/B2/B3 and is designed for UAV system and mobile devices. It can be used in aerial photographs, telemetry technology, disaster monitoring, traffic patrol and security monitoring, etc. This helix antenna has exceptional pattern control, polarization purity and high efficiency in a very compact form factor. Antenna element has high gain and wide beam width to ensure the signal receiving performance of satellite at low elevation angle. AX3704 is equipped with an O-ring that makes the antenna waterproof grade can reach IP65 once installed on a mating surface.



Key Features:

- Supports GPS L1/L2, GLONASS G1/G2 and BDS B1/B2/B3
- High stability and high repeatability at phase center
- Antenna with high gain can has a superior tracking performance at low elevation angle
- Very low noise figure
- SMA male connector
- Ground plane independent
- GIS & RTK applications

Technical Specifications

Antenna Specification

- Frequencies.....GPS L1/L2, GLONASS G1/G2, BDS B1/B2/B3
- Impedance.....50ohm
- Polarization..... RHCP
- Axial Ratio..... ≤ 3 dB
- Azimuth Coverage..... 360°
- Output VSWR..... ≤ 2.0
- Peak Gain.....2dBi

LNA Specification

- LNA Gain..... 33 ± 2 dB
- Noise Figure..... ≤ 2.0 dB
- Output VSWR..... ≤ 2.0
- Operation Voltage.....3~12VDC
- Operation Current..... ≤ 55 mA
- Ripple..... ± 2 dB

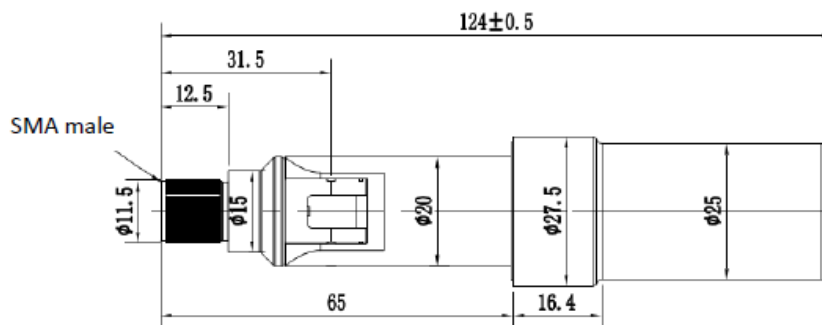
Environment Specification

- Storage /Operating Temp..... $-40^\circ\text{C} \sim +70^\circ\text{C}$
- Humidity.....95% No-condensing

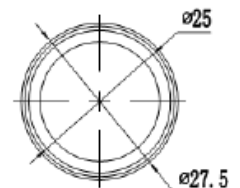
Mechanical Specification

- Dimension..... $\phi 27.5 \times 124$ mm
- Weight..... ≤ 50 g
- Connector.....SMA male

Structure Overview



Side View



Top View

Information and related materials are subject to change without notice. © Copyright 2017 Tersus GNSS Inc.